

Final Project Completion Report

Project Name and Number: **SCADA System Replacement, 3974**

Description: One of the important tools used by the District to efficiently operate its water system facilities is the Supervisory Control and Data Acquisition (SCADA) system. The system includes a wide variety of devices that measure important operating parameters (e.g. water level, flow rate, equipment on/off status, etc.), communication equipment, and computer SCADA software. This project included the replacement of the BIF 3800 SCADA System installed in 1992 with a new GE iFix SCADA system.

District Project Manager: Travis Christensen

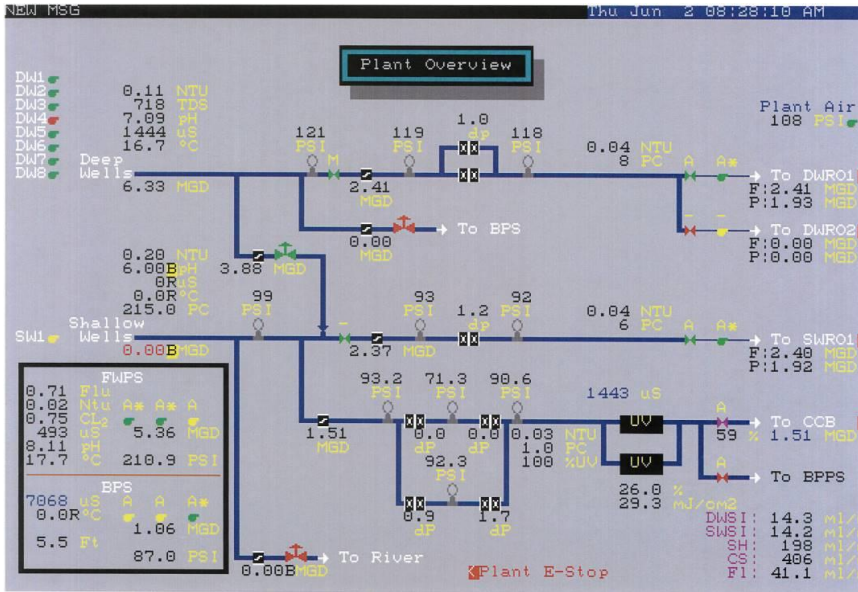
Consultant/Implementer:	Brown and Caldwell	Implementation Status: 100%
Original Contract Amount:		\$1,967,102
Total Contract Amendment amount:		\$742,357
Final Contract Amount:		\$2,709,459
Total contract amendments as a percentage of original contract:		37.7%

Summary of Contract Amendments:		
	Description	Amount
1	Additional SCADA development hours from Anderson Controls.	\$47,250
2	Additional SCADA programming hours and database work.	\$643,307
3	Structural design for the system operations control room.	\$16,800
4	Closeout SCADA system improvements and enhancements.	\$35,000
	Total Contract Amendment Amount:	\$742,357

Software Supplier:	TMMI/GE Proficy iFix	Software Status: 100%
Original Software Contract Amount:		\$453,562
Total Change Order amount:		\$5,891
Final Software Contract Amount:		\$459,453
Total change orders as a percentage of original contract:		1.3%

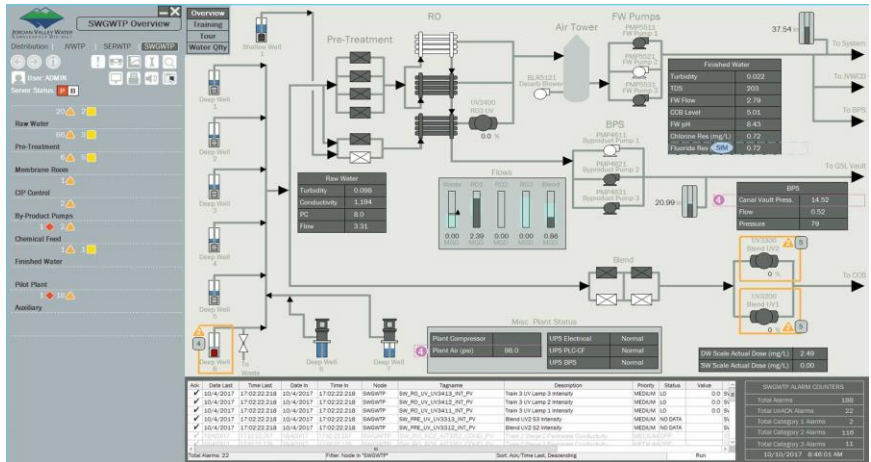
Summary of Change Orders:		
	Description	Amount
1	New SCADA software driver for radio communication.	\$4,683
2	Additional SCADA programming hours and database work.	\$1,208
	Total Change Order Amount:	\$5,891

Final Project Completion Report



Original BIF 3800 SWGWTP Overview Screen

New iFix SWGWTP Overview Screen



JWVCD and Consultant Team celebrating the successful switchover from BIF 3800 to iFix